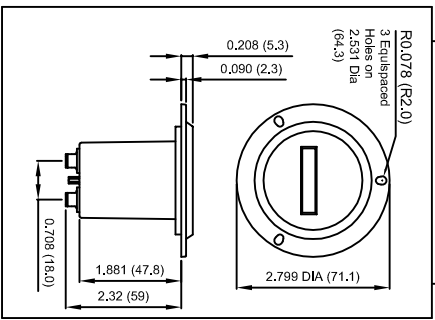


MOUNTING INFORMATION & WIRING DIAGRAMS

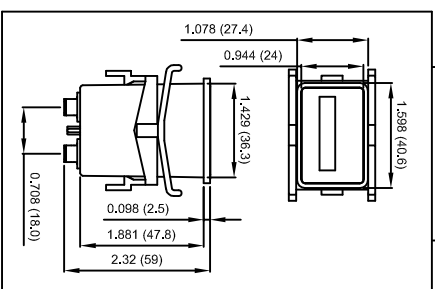
732 Series - (Direct Current) : 10-80 VDC

ROUND BEZEL 3 HOLE



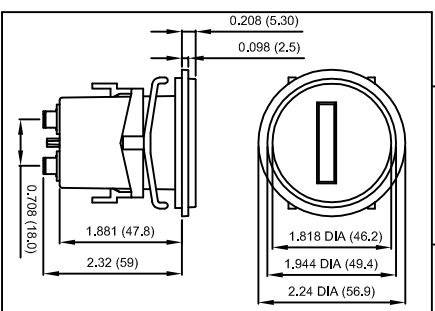
Round Bezel Mount :
3 Hole Cutout
2.00 (50.8)
diameter opening.
Three 0.149 (3.8)
holes equally
spaced on 2.52
(64.26) bolt circle
diameter.
Max. Panel Thickness :
0.401 (10.20)

RECTANGULAR



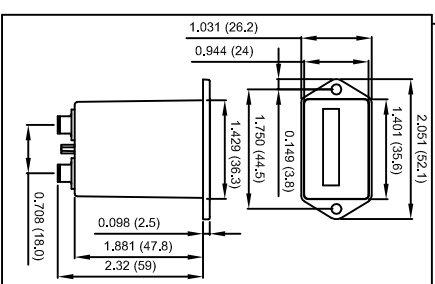
Rectangular Mount :
Panel Cutout
1.45 x 0.95
(36.8 x 24.1)
Rectangular
opening.
Max. Panel Thickness :
0.401 (10.20)

ROUND BEZEL



Round Bezel Mount :
Panel Cutout
2.00 (50.8)
diameter opening.
Max. Panel Thickness :
0.401 (10.20)

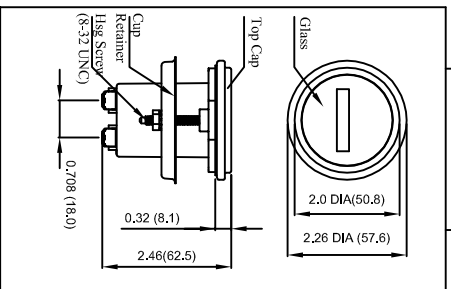
RECTANGULAR 2 HOLE



Rectangular 2 Hole Mount :
Panel Cutout
1.45 x 0.95
(36.8 x 24.1)
Rectangular
opening. Two
.150 (3.8) holes
spaced 1.750
(44.5).
Max. Panel Thickness :
0.401 (10.20)

All dimensions are in Inches , () dimensions are in mm

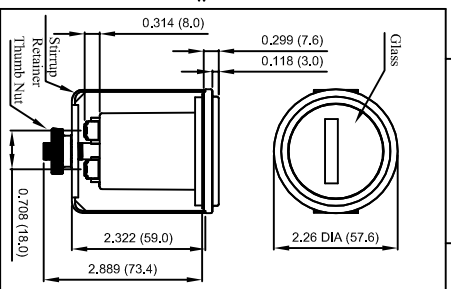
CUP MOUNT



Cup Mount
Panel Cutout
2.00 (50.8)
diameter
opening

Max. Panel Thickness :
0.401 (10.20)

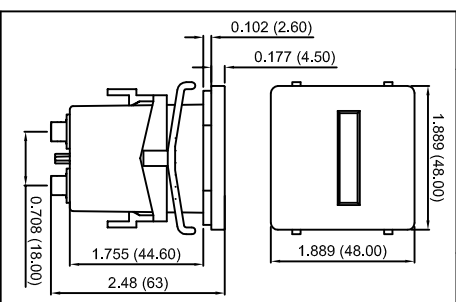
STIRRUP MOUNT



Stirrup Mount
Panel Cutout
2.00 (50.8)
diameter
opening

Max. Panel Thickness :
0.401 (10.20)

SQUARE BEZEL

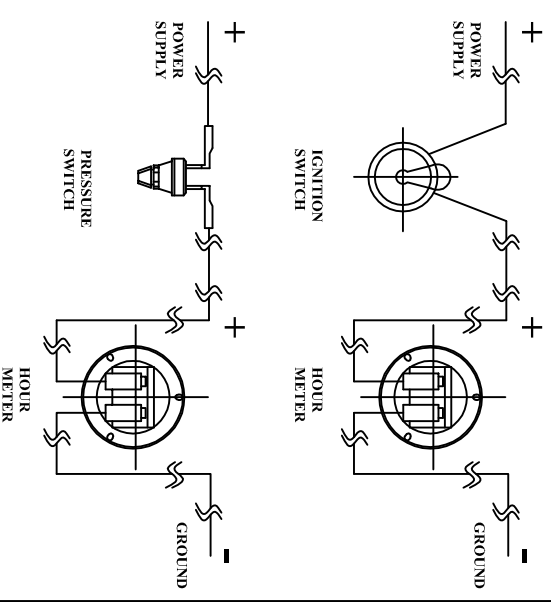


Square Housing
48 x 48
Panel
cutout
45 x 45
opening.

Max. Panel Thickness :
0.401 (10.20)

732 Series Wiring Diagram (Polarity Sensitive)

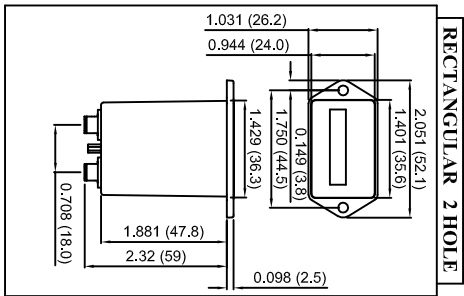
For DC Hour Meter Application



See Over Leaf For Panel Cutout Details.

MOUNTING INFORMATION & WIRING DIAGRAMS

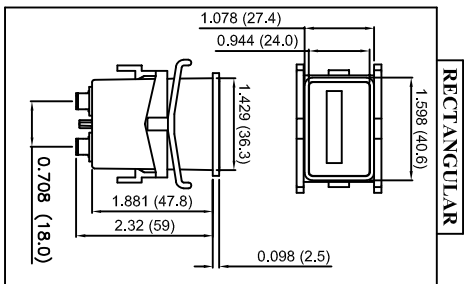
722 Series - (Alternating Current) : 90-264 VAC



RECTANGULAR 2 HOLE

Rectangular 2 Hole Mount :
Panel Cutout
1.45 x 0.95 (36.8 x 24.1)
Rectangular opening. Two .150 (3.8) holes spaced 1.750 (44.5).

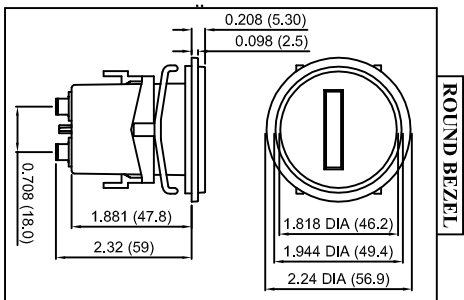
Max. Panel Thickness : 0.401 (10.20)



RECTANGULAR

Rectangular Mount :
Panel Cutout
1.45 x 0.95 (36.8 x 24.1)
Rectangular opening.

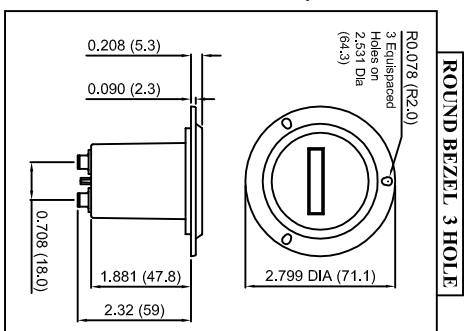
Max. Panel Thickness : 0.401 (10.20)



ROUND BEZEL

Round Bezel Mount :
Panel Cutout
2.00 (50.8) diameter opening.

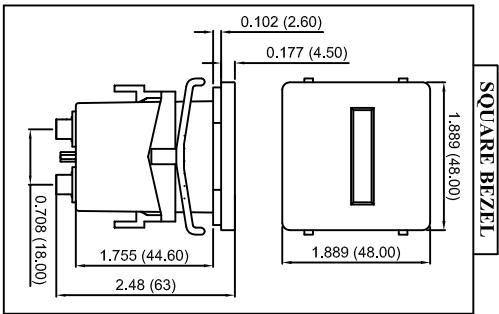
Max. Panel Thickness : 0.401 (10.20)



ROUND BEZEL 3 HOLE

Round Bezel 3 Hole Mount :
Panel Cutout
2.00 (50.8) diameter opening. Three 0.149 (3.8) holes equally spaced on 2.52 (64.26) bolt circle diameter.

Max. Panel Thickness : 0.401 (10.20)



SQUARE BEZEL

Square Housing 48 x 48 Panel cutout 45 x 45 opening.

Max. Panel Thickness : 0.401 (10.20)

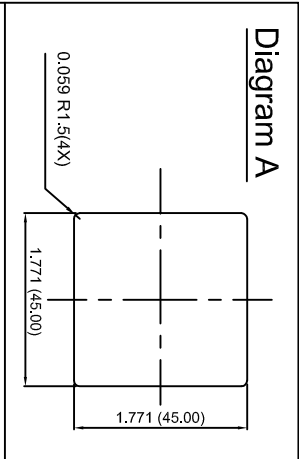


Diagram A

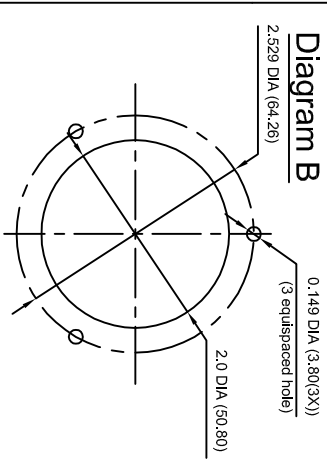
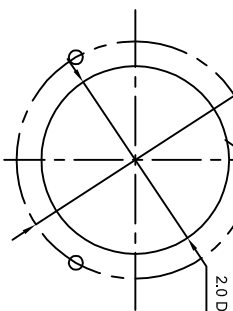


Diagram B



Max. Panel Thickness : 0.029 (0.76) to 0.401(10.20)
 Panel cutout Dimensions - Tolerance : ± 0.010 (0.30)
 All dimensions are in Inches , () dimensions are in mm

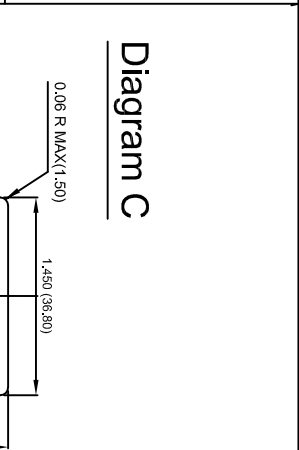
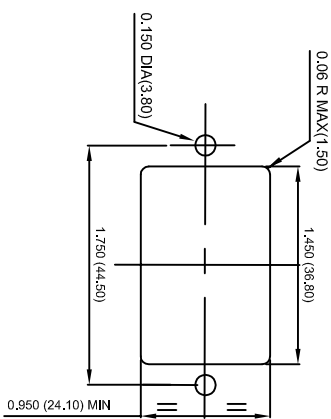
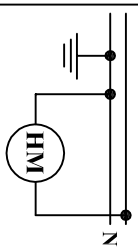


Diagram C

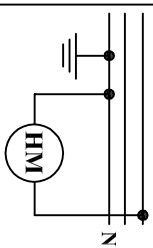


722 Series Wiring Diagram

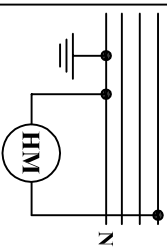
For AC Hour Meter Application



Single phase, 2 wire, 120/240 V system: Connect power wire to one terminal and neutral wire to opposite terminal.



Single phase, 3 wire, 120/240 V system: Connect any one power wire to one terminal and neutral wire to opposite terminal.



Three phase, 4 wire, 120/240 V system: Connect any one power wire to one terminal and neutral wire to opposite terminal.