

Quartz Analogue Timeswitch

The TM195 quartz analogue timeswitch offers accuracy and flexibility making it suitable for a large range of industrial control applications. The timeswitch can be powered from a large choice of AC or DC auxiliary power options and has a voltage free changeover relay contact. The universal mounting enclosure allows the TM195 to be panel, DIN rail or surface mounted.

In the event of a mains shut down or power failure the TM195 will continue to operate, accurate to the second, due to a 20 hour battery power reserve. The face of the timeswitch clearly indicates the current time and there is a manual override facility.



Models Available

TM195 24 Hour Analogue Timeswitch

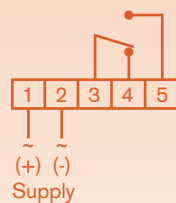
Product Features

- Quartz accuracy
- Minimum switching interval 15 minutes
- Panel, DIN rail and surface mounting
- 20 hour NiMH battery reserve
- Standard DIN square size
- Screw type terminals

For dimensions see page 7

For timing control of regular daily events and processes

Connections



Ordering information

Code	Timeswitch Type	Auxiliary Voltage
TM195	24 Hour Analogue Timeswitch	-
Specify	-	12 or 24Vac/dc
Specify	-	110 or 230Vac
Specify	-	Other (specify)
Example	TM195	110Vac

Specification

Accuracy:

- ± 1 sec in 24 hours (quartz timebase)

Adjustability:

- 15 minutes

Supply Voltage:

- 12Vac/dc, 24Vac/dc (-15% to +10%)
- 110Vac, 230Vac (-15% to +10%)

Burden:

- 1.5VA (AC) or 1.5W (DC)

Frequency:

- 45 to 65Hz or DC

Battery Reserve:

- 20 hours (after 48 hours charge)

Relay Output:

- 1 voltage free changeover relay contact

Contact Rating:

- 10A (resistive), 6A (inductive/capacitive)
- 250Vac maximum
- Contact life 10,000,000 operations

Operating Temperature:

- 0°C to 55°C

Enclosure:

- DIN72 flame retardant grey ABS
- Panel, DIN rail or surface mounting
- IP40 enclosure code

Weight:

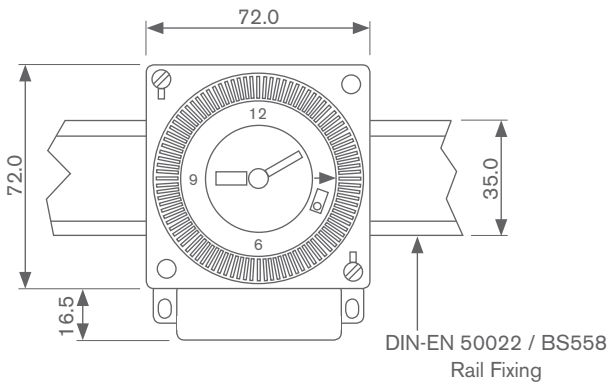
- 200g

Markings:

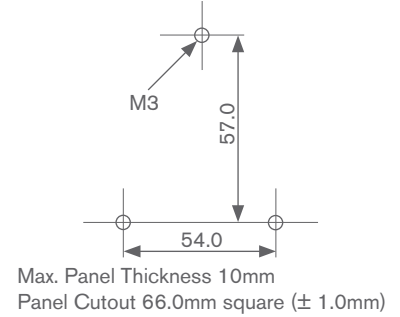
- CE marked

Dimensions

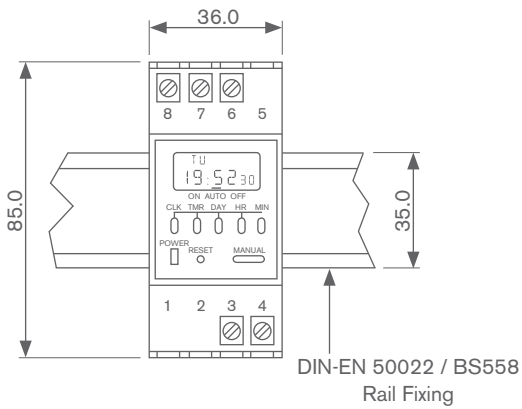
TM195 Enclosure



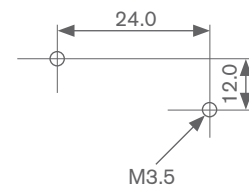
Dimensions for Surface Mounting



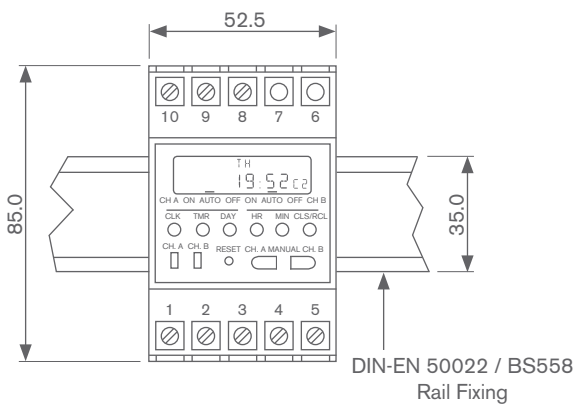
TM848 Enclosure



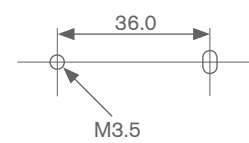
Dimensions for Surface Mounting
Adaptor Plate



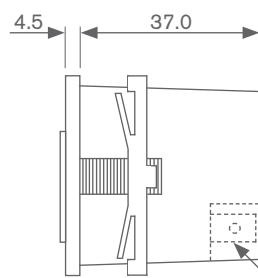
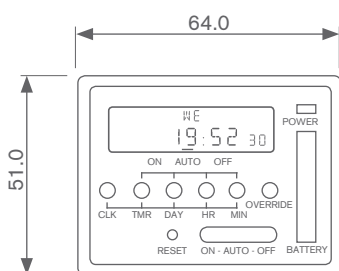
TM812 Enclosure



Dimensions for Surface Mounting
Adaptor Plate



TM823 Enclosure



Max. Panel Thickness 10mm
Panel Cutout 60mm x 47.0mm (± 1.0 mm)

All dimensions in mm