



## Digital Timeswitch - Panel Mounting

The TM823 digital timeswitch offers quartz accuracy and flexibility making it suitable for a large range of industrial control applications. The timeswitch can be powered from a large choice of AC or DC auxiliary power options, has a voltage free changeover relay contact and is panel mounted. An optional 96mm x 83mm mounting bezel is also available.

In the event of a mains shut down or power failure the TM823 will maintain programme memory and continue to operate, accurate to the second, due to a 500 hour battery power reserve. The TM823 is very simple to programme through a step-by-step push button sequence and flexible programming enables individual day or weekend programs. The timeswitch has a permanent override function and an LED to indicate relay status.

### Models Available

**TM823** LCD Panel Mounting  
Digital Timeswitch

### Product Features

- Quartz accuracy
- Up to 8 on and 8 off operations
- 1 minute minimum switching interval
- Daily, 7 day week, 5 day week and weekend modes
- Liquid crystal display
- Panel mounting
- Spade terminals - 6.3mm
- 500 hour lithium battery reserve
- Programming instructions supplied

For dimensions see page 7

## For digital timing control of daily or weekly events and processes

### Specification

#### Accuracy:

- $\pm 1$  sec in 24 hours (quartz timebase)

#### Display:

- Liquid crystal - 6mm high characters

#### Supply Voltage:

- 12Vac/dc, 24Vac/dc (-15% to +10%)
- 110, 230, 415Vac (-15% to +10%)

#### Burden:

- 5VA (AC) or 1.2W (DC)

#### Frequency:

- 45 to 65Hz or DC

#### Battery Reserve:

- 500 hours (display/memory, not output)

#### Relay Output:

- 1 voltage free changeover relay contact

#### Contact Rating:

- 16A (resistive), 3A (inductive/capacitive)
- 250Vac maximum
- Contact life 10,000,000 operations

#### Operating Temperature:

- -10°C to 55°C

#### Enclosure:

- Flame retardant black ABS
- Panel mounting - 60x48mm cut out
- IP40 enclosure code

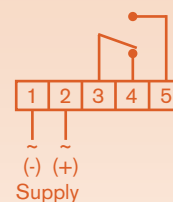
#### Weight:

- 100g

#### Markings:

- CE marked

### Connections

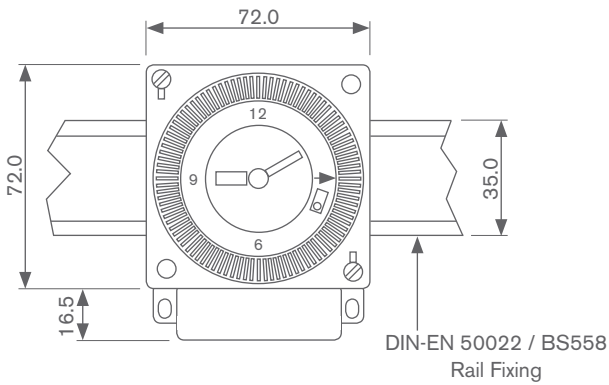


### Ordering information

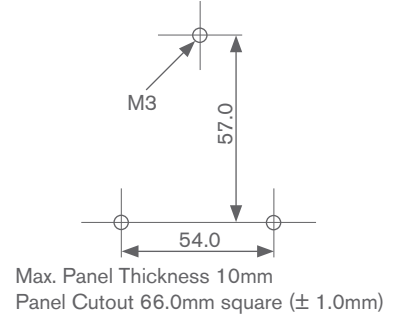
Code	Timeswitch Type	Auxiliary Voltage	Options
TM823	Digital Timeswitch - Panel Mounting	-	
Specify	-	12 or 24Vac/dc	
Specify	-	110, 230 or 415Vac	
Specify	-	Other (specify)	
TM823BK	-	96 x 83mm Mounting Bezel	
<b>Example</b>	<b>TM823</b>	<b>230Vac</b>	<b>TM823BK</b>

# Dimensions

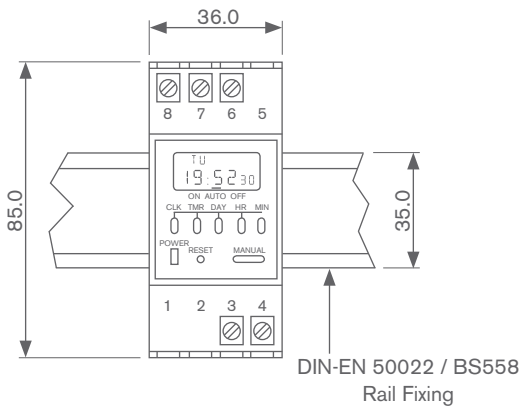
## TM195 Enclosure



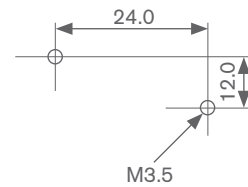
Dimensions for Surface Mounting



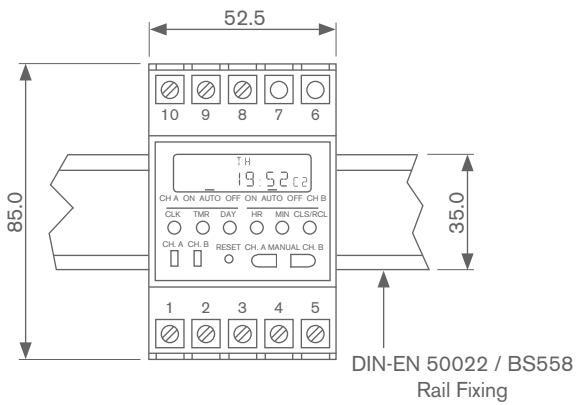
## TM848 Enclosure



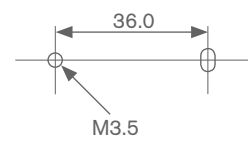
Dimensions for Surface Mounting Adaptor Plate



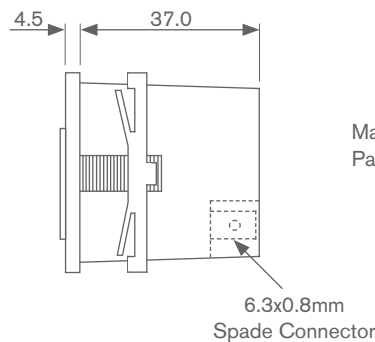
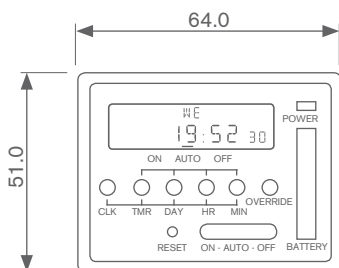
## TM812 Enclosure



Dimensions for Surface Mounting Adaptor Plate



## TM823 Enclosure



Max. Panel Thickness 10mm  
Panel Cutout 60mm x 47.0mm (± 1.0mm)

All dimensions in mm