



Digital Timeswitch - DIN Rail Mounting

The TM848 digital timeswitch offers quartz accuracy and flexibility making it suitable for a large range of industrial control applications. The timeswitch can be powered from a large choice of AC or DC auxiliary power options and has a voltage free changeover relay contact. The enclosure allows the TM848 to be DIN rail or surface mounted.

In the event of a mains shut down or power failure the TM848 will maintain programme memory and continue to operate, accurate to the second, due to a 500 hour battery power reserve. The TM848 is very simple to programme through a step-by-step push button sequence and flexible programming enables individual day or weekend programs. The timeswitch has a permanent override function and an LED to indicate relay status.

Models Available

TM848 LCD Digital Timeswitch

Product Features

- Quartz accuracy
- Up to 8 on and 8 off operations
- 1 minute minimum switching interval
- Daily, 7 day week, 5 day week and weekend modes
- Liquid crystal display
- DIN rail or surface mounting
- Screw type terminals
- 500 hour lithium battery reserve
- Programming instructions supplied

For dimensions see page 7

For digital timing control of daily or weekly events and processes

Specification

Accuracy:

- ± 1 sec in 24 hours (quartz timebase)

Display:

- Liquid crystal - 5mm high characters

Supply Voltage:

- 12Vac/dc, 24Vac/dc (-15% to +10%)
- 110, 230, 415Vac (-15% to +10%)

Burden:

- 5VA (AC) or 1.2W (DC)

Frequency:

- 45 to 65Hz or DC

Battery Reserve:

- 500 hours (display/memory, not output)

Relay Output:

- 1 voltage free changeover relay contact

Contact Rating:

- 16A (resistive), 3A (inductive/capacitive)
- 250Vac maximum
- Contact life 10,000,000 operations

Operating Temperature:

- -10°C to 55°C

Enclosure:

- 36mm wide flame retardant grey ABS
- 35mm DIN rail (DIN-EN 50022) or surface mounting
- IP40 enclosure code

Weight:

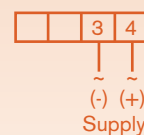
- 100g

Markings:

- CE marked

Specification subject to change without notice.

Connections

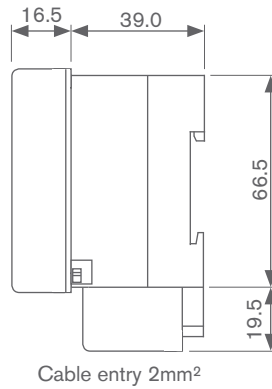
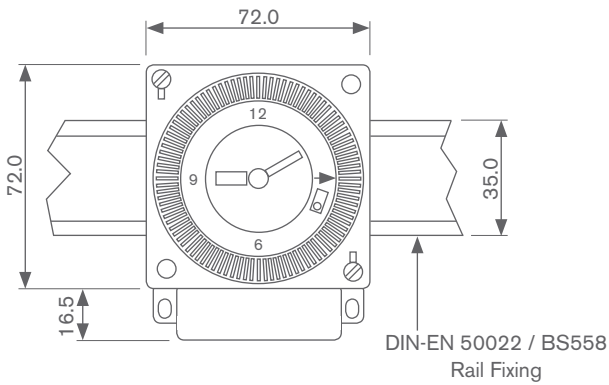


Ordering information

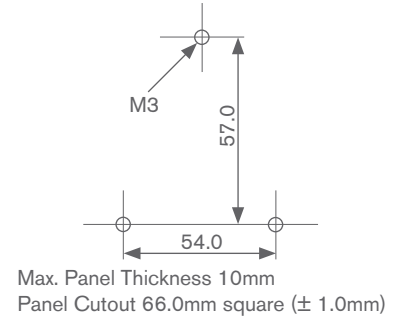
Code	Timeswitch Type	Auxiliary Voltage
TM848	Digital Timeswitch - DIN Rail Mounting	-
Specify	-	12 or 24Vac/dc
Specify	-	110, 230 or 415Vac
Specify	-	Other (specify)
Example	TM848	12Vac/dc

Dimensions

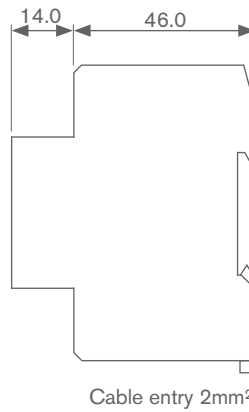
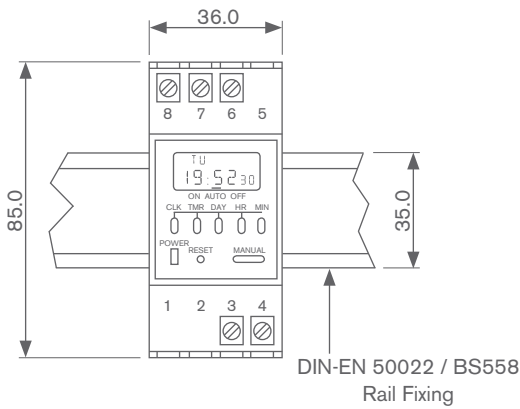
TM195 Enclosure



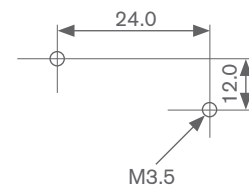
Dimensions for Surface Mounting



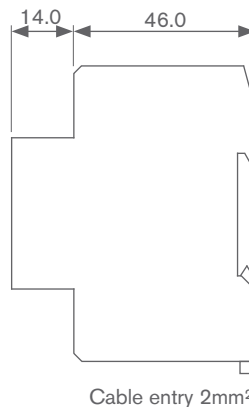
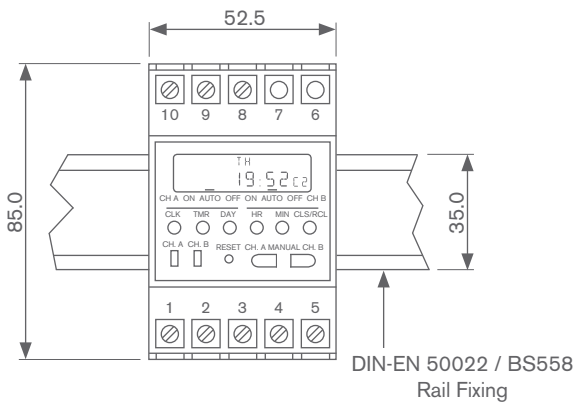
TM848 Enclosure



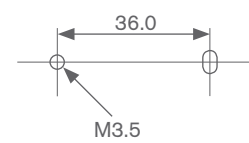
Dimensions for Surface Mounting
Adaptor Plate



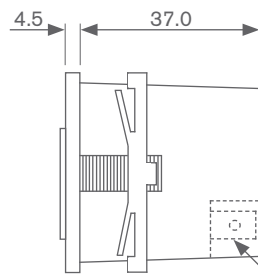
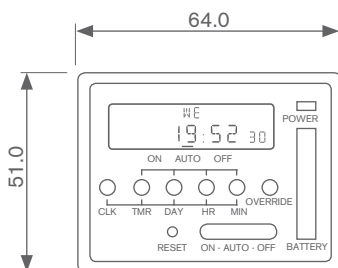
TM812 Enclosure



Dimensions for Surface Mounting
Adaptor Plate



TM823 Enclosure



Max. Panel Thickness 10mm
Panel Cutout 60mm x 47.0mm (± 1.0mm)

All dimensions in mm