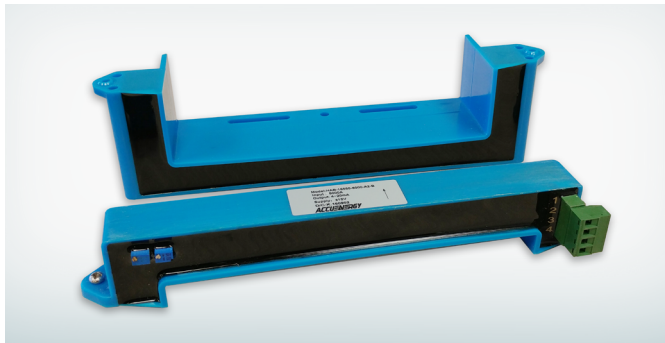
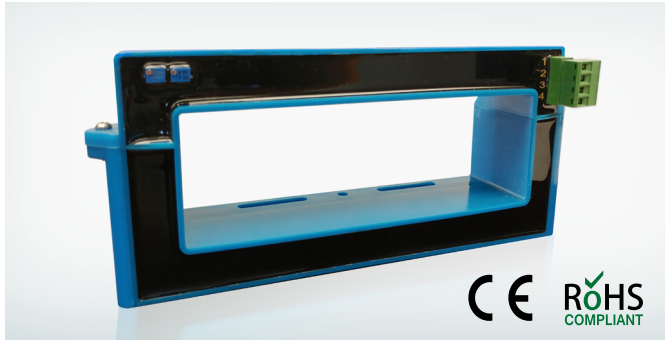


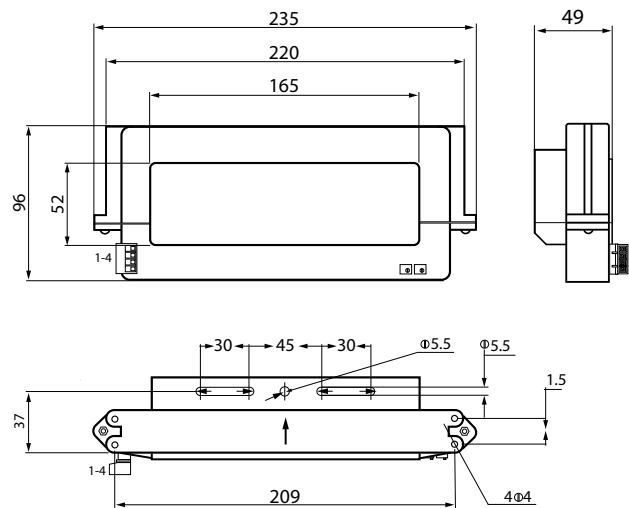
# Split-Core DC Current Hall Effect Sensor Rectangle Window

Accuenergy's HAB Split-core current hall effect sensor measures DC current up to 5000A with a 165mm by 55mm rectangular window. The output signal is optional at either 4-20mA or 0-5V. The split-core sensors are ideal for retro-fit installation on existing electrical wiring without any disconnection.



## DIMENSIONS

### Dimensions(mm)



## SPECIFICATIONS

Rated input	1000A, 2000A, 3000A, 4000A, 5000A
Rated Output	4-20mA or 0-5V
Accuracy	0.5%
Bidirectional current input is optional	
Power Supply	+/-15V(AcuDC 240 series multifunction DC Meter provides power supply from module directly without separate sourcing of power)
Opening Size	165mm by 55mm

## ORDERING INFORMATION

	Model	Current Input Rating	Output Option
Ordering Number			
Ordering Example	HAB 16555 -	1000	A2
	HAB 16555	1000: 1000A	A2: 4-20mA
		2000: 2000A	A3: 0-5V
		3000: 3000A	
		4000: 4000A	
		5000: 5000A	



**Accuenergy Corp.**

Los Angeles - Toronto - Beijing - Pretoria

North America Toll Free: 1-877-721-8908

Web: [www.accuenergy.com](http://www.accuenergy.com)

Email: [marketing@accuenergy.com](mailto:marketing@accuenergy.com)

**ACCUENERGY**  
MAKE ENERGY USAGE SMARTER