

ACCUEVERGY

AcuCT Hinged Series

Compact Split-Core Current Transformer



D A T A S H E E T

AcuCT Hinged Series

AcuCT-H138

Compact Split-Core Current Transformer Datasheet

Featuring an ultra-compact design with a convenient, hinged opening, the AcuCT Hinged split-core current transformers are high-accuracy sensors that are ideally-suited for branch circuit monitoring in crowded electrical panels. The installer-friendly, hinged design facilitates fast installation without cable or wire disconnection.

Key Features

- High accuracy: 0.5% from 10%-120% of rated current
- Features an inherently-safe, 333mV output
- Quick installation thanks to hinged Split-Core design
- Compact design is ideal for electrical panels with limited space
- UL Recognized



Accuenergy (Canada) Inc.
 /RV#OHVRUR#ML#JHRVLD
 North America Toll Free: 1-877-721-8908
 Web: www.accuenergy.com
 Email: marketing@accuenergy.com

Revision Date: Sep 2021 Version: 1.0.0
 Specs Subject To Change Without Notice.



6SHFL4FDWLRØ

RATED CURRENT	200A, 400A, 600A
Current Range	10% - 120% of rated current
Output	333mV
Accuracy	0.5%

MECHANICAL/ENVIRONMENTAL

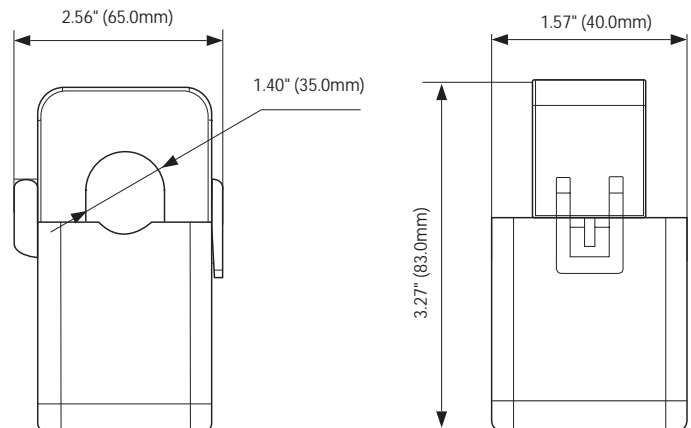
Form Factor	Hinged Split-Core CT
Window Size	35.0mm (1.40")
Exterior Dimensions	65.00mm x 40.00mm x 83.00mm 2.56" x 1.57" x 3.27"
Case Material	Black Nylon, UL 94V-0
Lead Wires	2.5m (8ft) twisted pair, 26AWG
Operating Temperature	-15°C to 60°C / 5°F to 140°F
Operating Humidity	Non-condensing, 0 to 95% RH
Installation Conditions	Indoor Use

ELECTRICAL

Wire Polarity	White=Positive, Black=Negative
Phase Orientation	Arrow Points Towards Load
Frequency Range	50-1KHz
Burden	\$\$\$

SAFETY/COMPLIANCE

Rated Voltage	600Vac, Category III
ØUWL4FDWLRØ	CE, RoHS, cURus (E359521)



2UGHULØUPDWLRØ

	Rated Input	Rated Output
Ordering Number	AcuCT- H138 -	: :333
Ordering Example	AcuCT- H138 - 200	: :333
	200: 200A	
	400: 400A	
	600: 600A	