



Programmable Count Controllers

The Tempatron programmable count controllers accept a train of pulses from a wide variety of electronic sensors such as flow meters, rotary encoders, optical sensors or limit switches, and provide a proportional reduced frequency pulsed output.

The division ratio can be set up to 4095 and the two outputs that are provided are a changeover relay contact for general switching and a solid state output for connection to a PLC or computer control system.

These pulse frequency dividers are housed in a compact DIN rail mounting enclosure, are available powered from 24Vac or 110/230Vac and have three LEDs to indicate power, input and output status.

Models Available

DIV-01-110/240VAC Pulse Freq. Divider

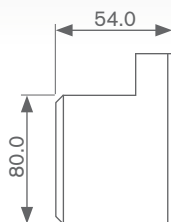
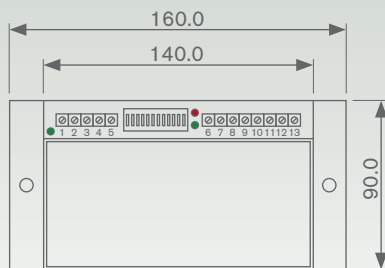
DIV-01-24VAC Pulse Freq. Divider

Product Features

- Scales pulses from various input sensors
- Accepts NPN or PNP inputs
- Divide ratios from 1 to 4095
- Relay and NPN outputs
- DIN Rail mounting
- 24Vac or 110V/230Vac powered

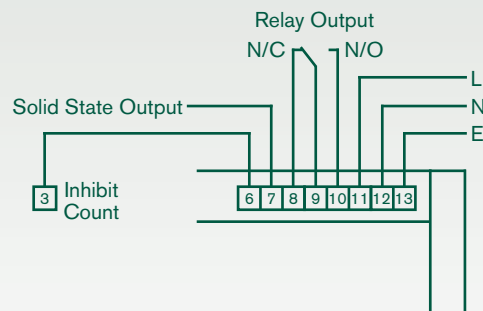
For scaling of pulse inputs to a proportional reduced frequency pulsed output

Dimensions



All dimensions in mm

Connections



Ordering information

Model	Code	Description
	DIV-01	Pulse Frequency Divider

Supply Voltage	Code	Description
	24VAC	24Vac
	110/240VAC	110/240Vac

Example	DIV-01-110/240VAC
----------------	--------------------------

Specification**Power Supply Voltages:**

- 24Vac
- 110Vac and 240Vac

Supply Voltage Variation:

- $\pm 10\%$

Burden:

- <6 Watts

Frequency:

- 50/60Hz

Input:

- NPN sink: 12Vdc off, <1Vdc@5.5mA on
- PNP source: 0V off, 12Vdc@5.5mA on

Output:

- Single pole changeover relay contact
5A at 240Vac/30Vdc (resistive)
- NPN open collector
(50mA maximum on, 30Vdc off)

Input Pulse:

- Maximum input pulse frequency
selectable: 150Hz or 5kHz

Output Pulse:

- Selectable pulse or change of state

Output Pulse Duration:

- Adjustable from 0.1 to 5 seconds

Scaling:

- Adjustable from divide by 1 to 4095

Operating Temperature:

- -20°C to 65°C
- <90% rH non-condensing

Storage Temperature:

- -10°C to 70°C
- <90% rH non-condensing

Enclosure Code:

- IP20

Weight:

- 550g

Markings:

- CE marked (meets EN61010-1 low voltage and EN50081-1/50082-1 EMC directives)

Specification subject to change without notice.

Tempatron: Eltime House, Hall Road, Maldon, Essex, CM9 4NF UK.

TEMPATRON

Tempatron Industrial Controls is a division of Eltime Ltd.

© Eltime Ltd. Tempatron Programmable Count Controllers 04/2011