

## TE48 Dual Digital Timers

The Tempatron TE48 dual 4 digit digital timer is a multifunction, multi-time range digital timer suitable for controlling operation of equipment, machinery, systems or processes in a wide range of industrial applications.

Twelve timing functions can be selected together with time ranges from 0.1 second to 99:59 hours, to operate two independent relay output contacts which are isolated from the supply voltage. The output contacts can be configured as two timed outputs, or one timed and one instantaneous output.

These timers are housed in a compact DIN48 square panel mounting enclosure and are powered from 12 to 24Vac/dc or 90 to 264Vac.

### Models Available

**TE48ML** Dual Digital Timer 12-24Vac/dc

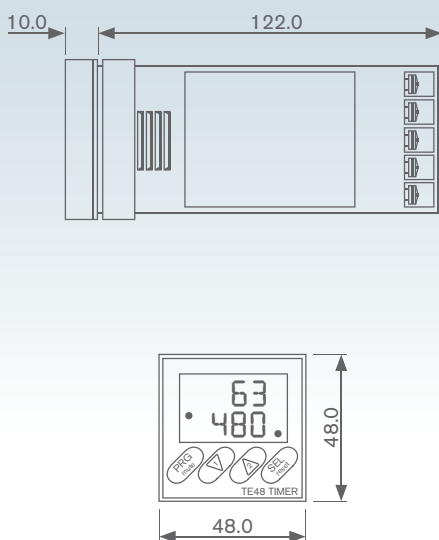
**TE48MH** Dual Digital Timer 90-264Vac

### Product Features

- Dual 4 digit LED display timer
- 12 programmable timing modes
- 4 time ranges from 0.1 sec to 99:59 hrs
- 12 to 24Vac/dc or 90 to 264Vac
- 1 changeover and 1 N/O relay output
- Programmable reset function
- External hold and reset
- Security passcode
- IP65 enclosure code
- Panel mounting
- Selectable up/down timing
- LED status and timing indicators

## For timing control of machinery, systems and operational processes

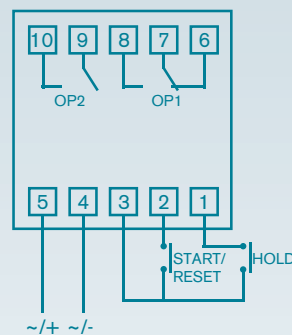
### Dimensions



Panel cutout 45mm square (-0.0/+0.5)

All dimensions in mm

### Connections



[View on rear](#)

**Ordering information**

Model	Code	Description
	TE48ML	Dual Digital Timer 12 to 24Vac/dc (Delay on Energise, Interval, Delay on De-Energise, 2 Delay on Energise, 2 Interval, 2 Delay on De-Energise, Dependent Delay on Energise, Delay on Energise & Interval, Delayed Pulse, Delayed Cycling, Sequence, Cycle Time Monitor)
	TE48MH	Dual Digital Timer 90 to 264Vac (Delay on Energise, Interval, Delay on De-Energise, 2 Delay on Energise, 2 Interval, 2 Delay on De-Energise, Dependent Delay on Energise, Delay on Energise & Interval, Delayed Pulse, Delayed Cycling, Sequence, Cycle Time Monitor)
<b>Example</b>	<b>TE48MH</b>	

**Specification****Accuracy:**

- Scale accuracy:  $\pm 0.5\%$  or 20ms (whichever is greatest)
- Repeat accuracy:  $\pm 0.3\%$  of set time

**Power Supply Voltage:**

- TE48ML 12 to 24Vac/dc ( $\pm 10\%$ )
- TE48MH 90 to 264Vac

**Burden**

- <8VA

**Frequency:**

- 50/60Hz

**Time Ranges:**

- 0.1 to 999.9sec, 1 to 9999min
- 00:01 to 99:59min, 00:01 to 99:59hrs

**Relay Output:**

- Single pole changeover contact and single pole N/O contact

**Contact Rating:**

- OP1 8A at 240Vac/30Vdc (resistive)
- OP2 5A at 240Vac/30Vdc (resistive)

**Electrical Contact Life:**

- 100,000 operations at rated output

**Reset Time:**

- 100ms approx.

**Operating Temperature:**

- 0°C to 50°C

**Storage Temperature:**

- 0°C to 70°C

**Enclosure Code:**

- Case IP65

**Weight:**

- 230g

**Markings:**

- CE marked (meets EN61010-1 low voltage and EN50081-1/50082-1 EMC directives)

Specification subject to change without notice.

Tempatron: Eltime House, Hall Road, Maldon, Essex, CM9 4NF UK.

**TEMPATRON**

Tempatron Industrial Controls is a division of Eltime Ltd.

© Eltime Ltd. Tempatron TE48 Timers 04/2011