



### Models Available

**FPM482DCA** DIN48x24 DC Ammeter

**FPM964DCA** DIN96x48 DC Ammeter

**FPM482DCV** DIN48x24 DC Voltmeter

**FPM964DCV** DIN96x48 DC Voltmeter

### Product Features

- 3½ digit red LED display
- Available in two standard DIN sizes
- User adjustable scale and decimal point
- 4-20mA process monitor available
- Easy to wire screw type terminals

For dimensions see page 7

## DC Ammeters & Voltmeters

DC digital ammeters and voltmeters are available in two DIN sizes, 48x24mm and 96x48mm, both featuring a 3½ digit red LED display. The meters are panel mounting and offer a wide choice of input and display options making them suitable for a large range of industrial applications.

All DC digital panel meters can be powered by a large selection of self contained AC or DC auxiliary power supplies, which all offer isolation between the measured input signal and auxiliary supply voltage.

All DC digital panel meters are delivered fully calibrated, however adjustments to zero and span points can be made (see calibration data sheets). Optional terminal protection covers are also available.

## For digital measurement of DC current, DC voltage and process signals

### Specification

#### Accuracy:

- 0.1% ± 1 digit

#### Input Current, $I_n$ :

- 0-100µA to 0-10A direct connected
- DIN48x24 0-5A maximum direct
- > 10A use shunt and mV voltmeter
- 4-20mA process signal

#### Input Voltage, $U_n$ :

- 0-20mV to 0-800V direct connected
- DIN48x24 0-600V maximum
- 0-5V, 0-10V, 1-5V, 2-10V process signal

#### Overload:

- 2 x  $I_n$  or 1.2 x  $U_n$  continuous
- 10 x  $I_n$  or 2 x  $U_n$  for 5 seconds

#### Ammeter Voltage Drop:

- 20mV (direct connected)

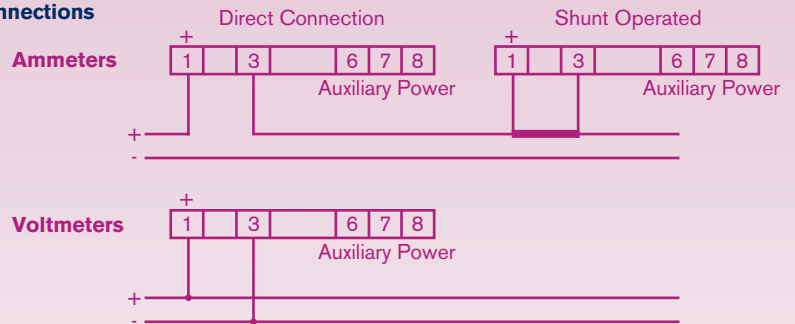
#### Impedance:

- Voltmeter 10kohm/Volt
- DIN48x24 4-20mA: 50ohms
- DIN96x48 4-20mA: 1ohm

#### Weight:

- DIN48x24 90g, DIN96x48 380g

### Connections



For auxiliary power connections see page 7

### Ordering information

| Code           | DIN Size & Meter Type  | Input & Scaling                              | Auxiliary    |
|----------------|------------------------|--|--------------|
| FPM482DCA      | 48 x 24mm DC Ammeter   | -  | -            |
| FPM964DCA      | 96 x 48mm DC Ammeter   | -  | -            |
| FPM482DCV      | 48 x 24mm DC Voltmeter | -  | -            |
| FPM964DCV      | 96 x 48mm DC Voltmeter | -  | -            |
| Specify        | -                      | 0-100µA to 0-10A direct (DIN48x24 - 5A max.) |              |
| Specify        | -                      | > 10A use shunt & 50, 60, 75mV Voltmeter     |              |
| Specify        | -                      | 4-20mA (scaled as required)                  | -            |
| Specify        | -                      | 0-20mV to 0-800V (DIN48x24 - 600V max.)      |              |
| 110/230Vac     | -                      | 110/230Vac Dual Auxiliary (DIN96x48 only)    |              |
| Specify        | -                      | 12, 24, 48, 110, 230Vac                      |              |
| 415Vac         | -                      | 415Vac (96x48mm only)                        |              |
| 10-60Vdc       | -                      | 10-60Vdc (96x48mm only)                      |              |
| Specify        | -                      | 12, 24 or 48Vdc (48x24mm only)               |              |
| <b>Example</b> | <b>FPM482DCV</b>       | <b>0-10Vdc / 0-100.0%</b>                    | <b>24Vdc</b> |

# General Specification

## Environmental

Operating Temperature: 0°C to 60°C (Calibration temperature 23°C)  
 Storage Temperature: -10°C to 70°C  
 Temperature Coefficient: < 100ppm/ °C  
 Relative Humidity: 0 - 85% non-condensing  
 Warm Up Time: 1 minute

## Display

Digit & Display: 3½ digit (1999) red LED (cosØ meter 3 digit)  
 Digit Height: 10.2mm high (FPM482), 14.2mm high (FPM964)  
 Decimal Point: Internally selectable  
 Sampling Time: Approx 0.4 sec (FPM482), 1 sec (FPM964)  
 Over Input Indication: '1'  
 Polarity: Automatic with (-) indicating negative inputs  
 Measuring Mode: Dual slope  
 Input Mode: Floating  
 Noise Elimination Ratio: CMRR over 86dB 50/60Hz

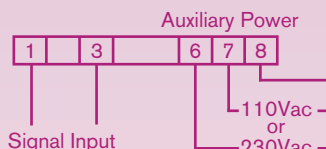
## Enclosure

Enclosure: Flame retardant black ABS plastic case  
 Enclosure Code: Case IP54 (IP65 with gasket optional) to IEC529  
 Insulation Test: 2kV rms 50Hz 1min input/auxiliary (to IEC 414)  
 2kV rms 50Hz 1min terminals/case (FPM482)  
 4kV rms 50Hz 1min terminals/case (FPM964)  
 Markings: CE marked

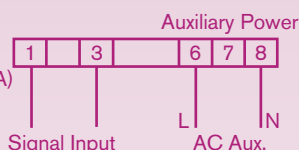
Specification subject to change without notice.

## Auxiliary Power Connections

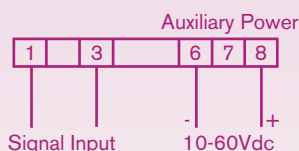
**FPM964 Standard Dual AC Auxiliary Supply**  
 110/230Vac ±20% (Burden < 3VA)



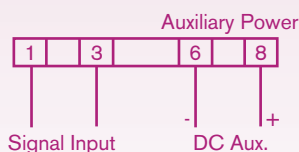
**FPM964 Non Standard AC Auxiliary Supply**  
 12Vac, 24Vac, 48Vac, 110Vac, 230Vac ±20% (Burden < 3VA)



**FPM482 Standard AC Auxiliary Supply**  
 12Vac (±10%)  
 24Vac, 48Vac, 110Vac, 230Vac ±20% (Burden < 3VA)



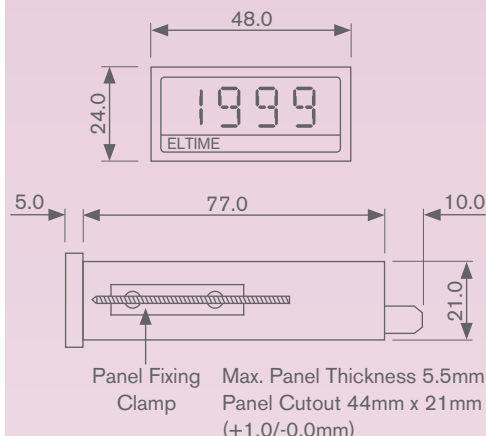
**FPM964 DC Auxiliary Supply**  
 10-60Vdc (Burden < 2W)



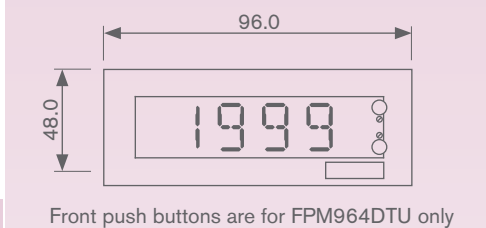
**FPM482 DC Auxiliary Supply**  
 12Vdc (±10%), 24Vdc, 48Vdc ±20% (Burden < 2W)

## Dimensions

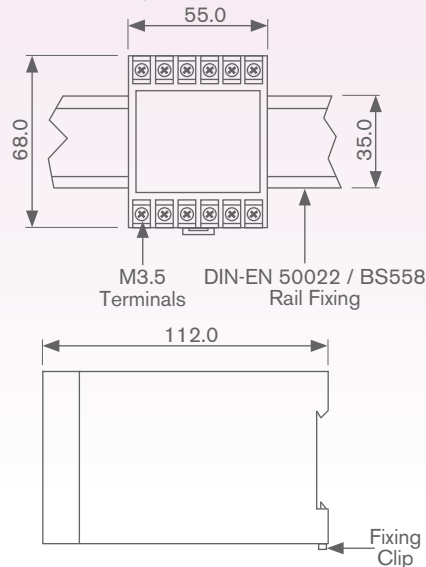
### FPM482 Enclosure



### FPM964 Enclosure



### Watt/Var/CosØ Converter Unit and DTU Relay Unit Enclosure



All dimensions in mm