

## Hours Run Meters (LCD)

LCD hours run meters are suitable for monitoring equipment and scheduling of events. These solid state electronic meters are black and feature an LCD display with large 7mm digits and optional electrical reset. The LCD hours run meters are available in two different DIN sizes and have exceptional reliability even in severe environments.

Memory is retained in excess of 25 years in the power off condition, by the use of non-volatile memory, so no internal battery is required. These instruments can record upto 99,999.9 hours before resetting with a 0.1 hour resolution, and have separate power and input terminals. Power consumption is minimal over the wide AC/DC supply voltage bands.



### Models Available

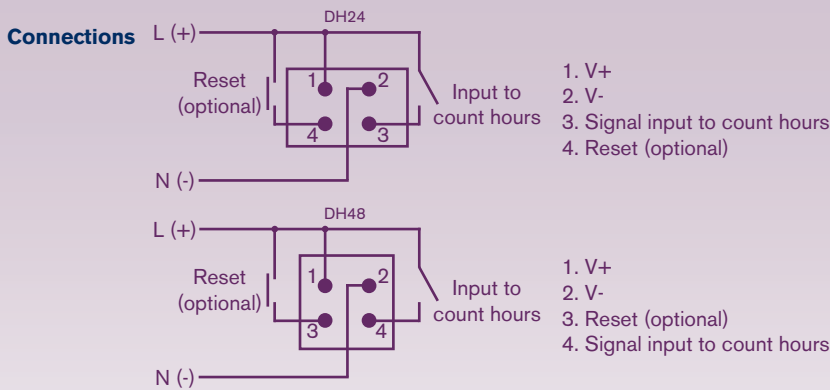
- DH24** DIN24x48 LCD Hours Run Meter
- DH48** DIN48 LCD Hours Run Meter

### Product Features

- Hours run monitoring
- Standard DIN sizes
- Non-resettable or resettable
- Many options available (see page 16)

For dimensions see pages 17-18

## Hours Run Meters - for monitoring hours of operation on machines



### Ordering information

Code	DIN Size	Reset Type	Voltage
DH24	24 x 48mm LCD Hours Run Meter	-	-
DH48	48 x 48mm LCD Hours Run Meter	-	-
N	-	Non-Resettable	-
R	-	Electrical Reset	-
L	-	-	9-60Vdc & 15-75Vac
H	-	-	36-185Vdc and 75-270Vac
<b>Example</b>	<b>DH24</b>	<b>R</b>	<b>L</b>

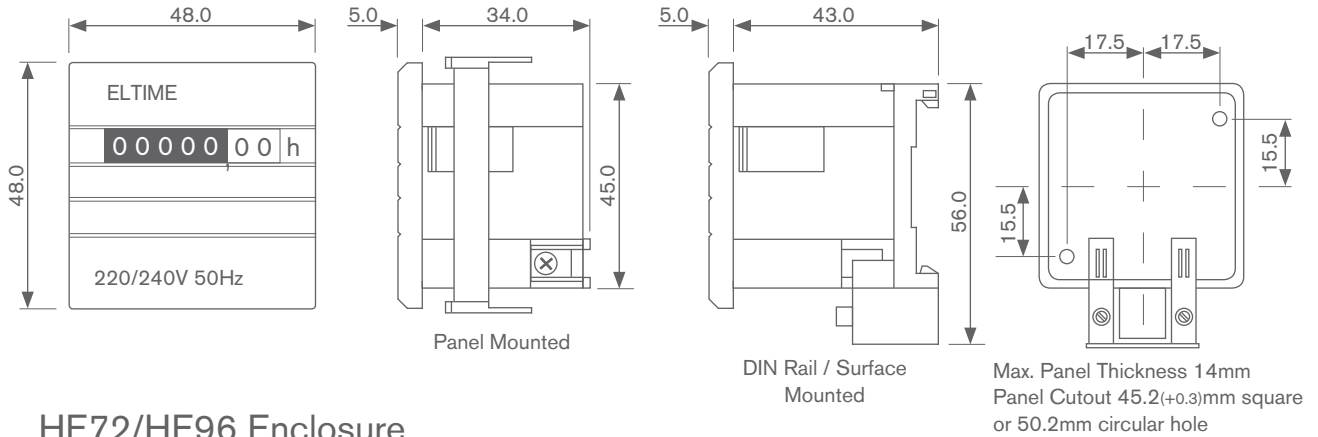
### Specification

- Display:**
- 6 digit LCD
- Counting Range:**
- 99,999.9 hours with operation indication
- Numerals:**
- DH24: 5mm high
  - DH48: 7mm high
- Accuracy:**
- ±0.04% maximum error
- Enclosure:**
- Flame retardant ABS to DIN 43700
- Enclosure Code:**
- IP52 front
- Mounting:**
- Panel mounting
- Operating Voltages:**
- L: 9-60Vdc and 15-75Vac
  - H: 36-185Vdc and 75-270Vac
- AC Frequency Range:**
- 48 to 440Hz
- Power Consumption:**
- < 2mA
- Terminals:**
- DH24: 4.8mm spade terminals
  - DH48: 6.4mm spade terminals
- Weight:**
- DH24 40g, DH48 70g

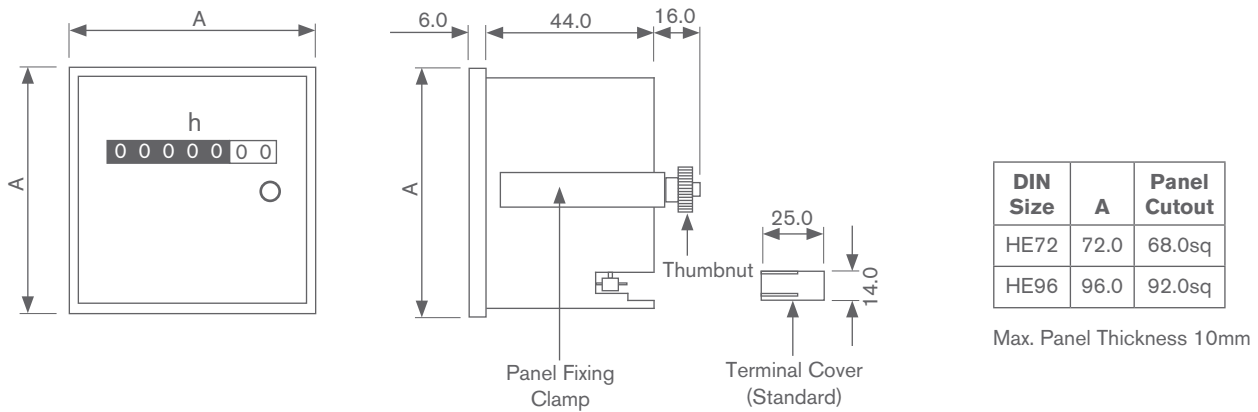


# Dimensions

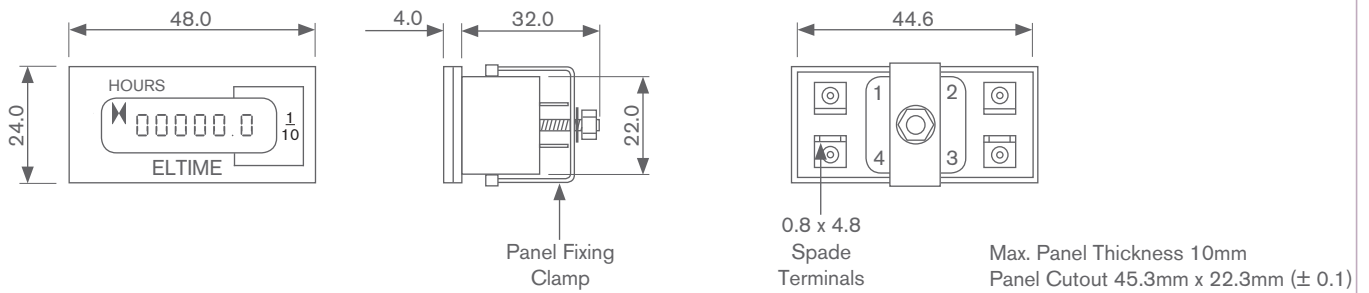
## BZW48/BZG48 Enclosure



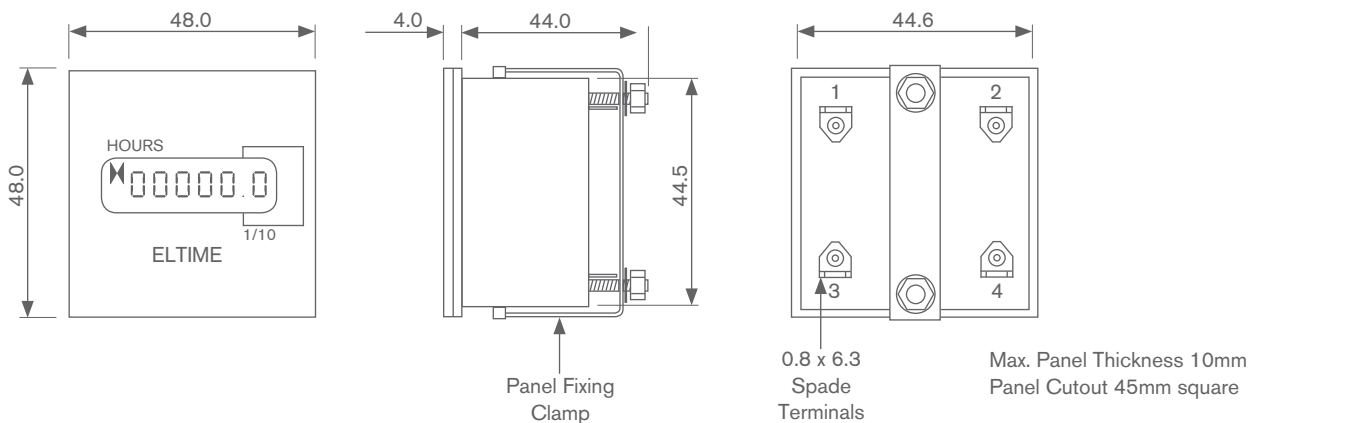
## HE72/HE96 Enclosure



## DH24 Enclosure



## DH48 Enclosure



All dimensions in mm

## General Specification

### Reference Standards

Performance / Accuracy:	BS EN 60051-1, BS 89 and DIN 43780
Enclosure:	DIN 43700
Vibration Resistance:	DIN 43780
Measuring Ranges:	DIN 43701
Safety:	IEC 414
Dial Symbols:	IEC 51

### Environmental

Calibration Temperature:	23°C
Operating Temperature:	-25°C to 50°C
Temperature Coefficient:	±0.03%/ °C
Relative Humidity:	0 - 90% non-condensing

### Input

Input Burden:	See individual specifications
Overload:	See individual specifications
Response Time:	< 2seconds

### Scales

Dials:	White with black legends
Reference Standard:	DIN 43802
Scale Length:	DIN48 - 37mm DIN72 - 65mm DIN96 - 90mm

### Enclosure

Enclosure:	Flame retardant white ABS plastic case with black bezel Plain glass window is standard* but a polycarbonate window is available. (*Polycarbonate window is standard on EL meters)
Enclosure Code:	Case IP52 (IP65 with gasket optional) to IEC529 and BS5490
Insulation Test:	2kV rms 50Hz 1min (to IEC 414)
Markings:	CE marked

Specification subject to change without notice.