

Digital Advanced Panel Meters

The APM meters incorporate a 40 segment analogue display together with a 4 digit digital display providing both an accurate reading combined with a simple, visual indication. These panel mounting meters have a user selectable red, green or white LED backlight and are 12-24Vac/dc powered.

They can be connected to the USB port on a PC and configured using the free software, or for some standard ranges, through DIP switches on the rear of the meter. The meters are housed in a compact DIN72 enclosure and are sealed to a protection rating of IP65.

All meters are available with either black digits/markings on a coloured background (positive display) or coloured digits/markings on a black background (negative display) and have an option of two independent outputs, programmable as setpoints or analogue outputs.

Models Available

- APM-AMP** AC/DC Digital Ammeter
- APM-VOLT** AC/DC Digital Voltmeter
- APM-FREQ** Digital Frequency Meter
- APM-PROC** Digital DC Process Meter

Product Features

- 40 segment bar graph display
- Large 4 digit display
- Dynamic coloured backlight
- User adjustable brightness and colour
- High contrast, anti-glare LCD screen
- Wide viewing angle
- Custom annunciators
- Positive or negative display options
- Optional two independent outputs
- IP65 supplied complete with gasket

For measurement of AC current, AC voltage, frequency and process signals

General Specification

Power Supply:

- 12-24Vac/dc

Power Consumption:

- 80mA (backlight off)
- 160mA (backlight on)

Display:

- 4 digit, 0.47" high
- 40 segment bar graph
- 4 characters for message/title
- Red, green or white backlight (selectable)
- Positive or negative display (specify)

Isolation:

- Power supply & voltage input: 600V
- Power supply & current input: 2kV

Open Collector Output:

- 24V max., 500mA max., 0.6W max.

4-20mA Analogue Output:

- Accuracy 0.5%
- Resolution 0.02mA

Enclosure Code:

- Case IP65, supplied with gasket

Operating Temperature:

- -10°C to +60°C

Storage Temperature:

- -40°C to +70°C

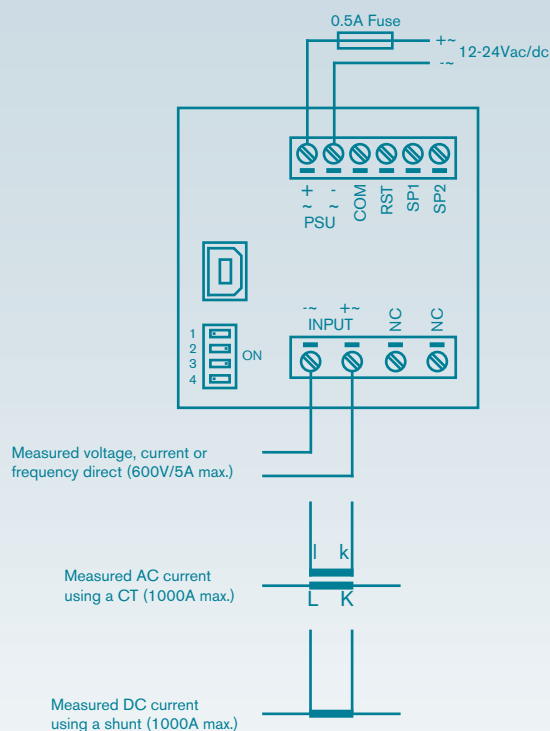
Weight:

- 180g

Markings:

- CE marked
- UL and cUL (pending)

Connections



Ordering information

Model	Code	Description
	APM-AMP	72 x 72mm Digital AC/DC Ammeter
	APM-VOLT	72 x 72mm Digital AC/DC Voltmeter
	APM-FREQ	72 x 72mm Digital Frequency meter
	APM-PROC	72 x 72mm Digital DC Process meter

Display	Code	Description
	-AP	Positive Display
	-AN	Negative Display

Outputs	Code	Description
	N	None (N/A for APM-PROC)
	O	Two Independent Outputs Programmable as Setpoints or Analogue Outputs

Example **APM-VOLT-APO**

Specification (Ammeter)

- Input Current, In:**
 - 0-5A direct or CT operated
- CT Ratio (Programmable):**
 - 5/5A to 1000/5A
- Shunt Ratio (Programmable):**
 - Up to 1000A
- Impedance:**
 - 2milliohms
- Accuracy:**
 - 1%
- Resolution:**
 - 2.4mA
- Sample Rate:**
 - 40kHz
- Display Modes:**
 - peak or RMS

Specification (Voltmeter)

- Input Voltage, Un:**
 - 0-600Vdc or 0-528Vac
- Maximum Over Voltage Rating:**
 - 800V
- Impedance:**
 - 1.5Mohms
- Accuracy:**
 - 1%
- Resolution:**
 - 10mV
- Sample Rate:**
 - 40kHz
- Display Modes:**
 - peak or RMS

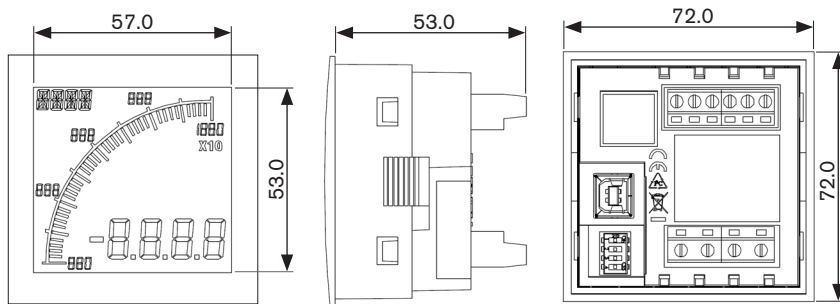
Specification (Frequency Meter)

- Input Frequency:**
 - 0-400Hz
- Impedance:**
 - 1.5Mohms
- Accuracy:**
 - 0.1%
- Resolution:**
 - 0.1Hz
- Sample Rate:**
 - 40kHz
- Signal Level:**
 - 10-528Vac

Specification (DC Process Meter)

- Input:**
 - 0 to +/-10Vdc or 0-50mA
 - Impedance:**
 - 10V input: 100kohms
 - 50mA input: 15ohms
 - Accuracy:**
 - 10V input: 0.1%, 50mA input: 0.01%
- Specification subject to change without notice.

Dimensions



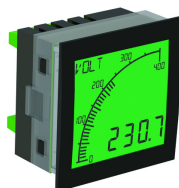
Max. Panel Thickness 7mm
Panel Cutout 68mm square

All dimensions in mm

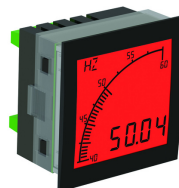
Display Options (Selectable)



Positive White



Positive Green



Positive Red



Negative White



Negative Green



Negative Red